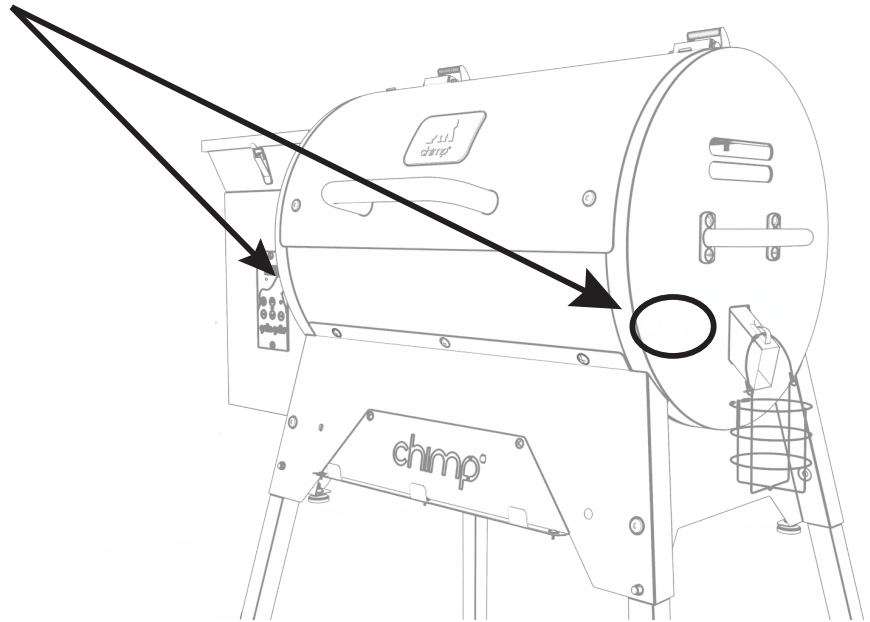


## CHIMP REV-1 MODEL

Install (Page 2-3)

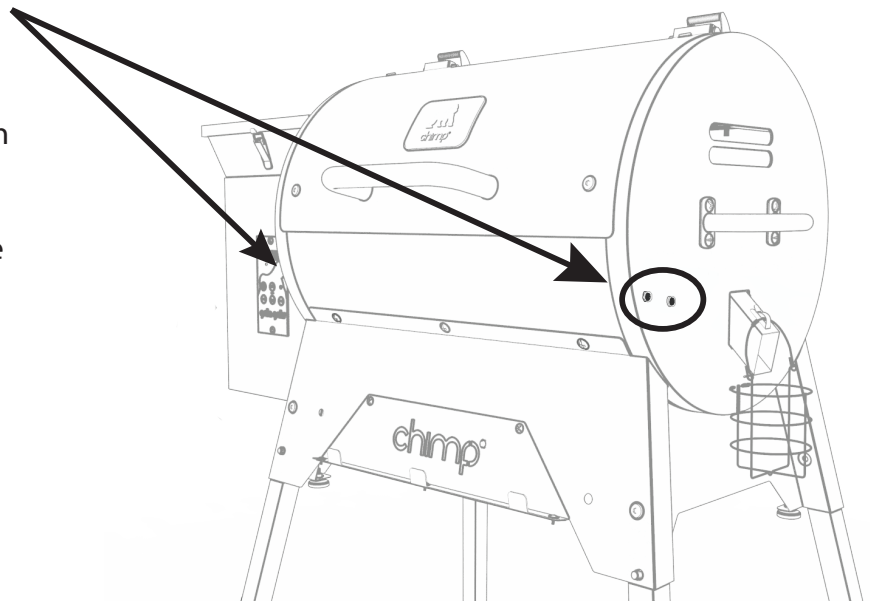
If you DO NOT have two holes located on both ends of your chimp, you have a previous model. Please continue to the next page to complete installation.



## CHIMP REV-2 MODEL

Install (Page 4)

If you have two holes located on both ends of your chimp you have an updated model. Please continue to page 4 to complete installation.



# CHIMP FRONT SHELF

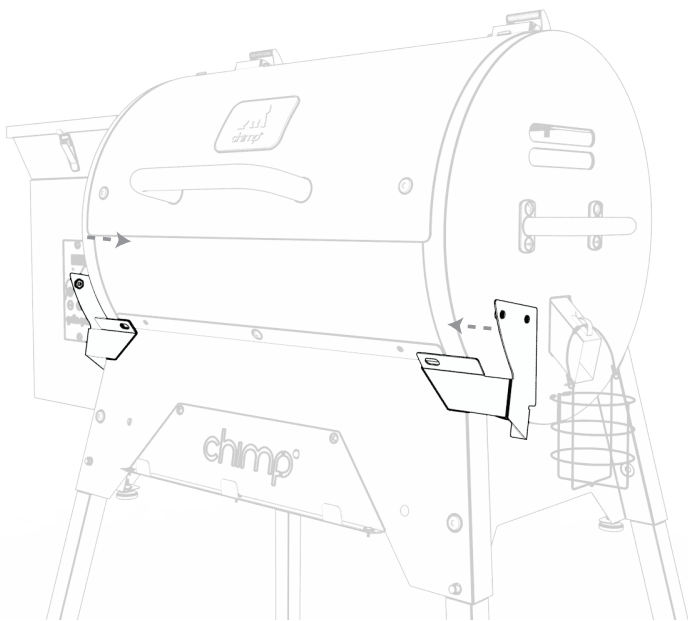
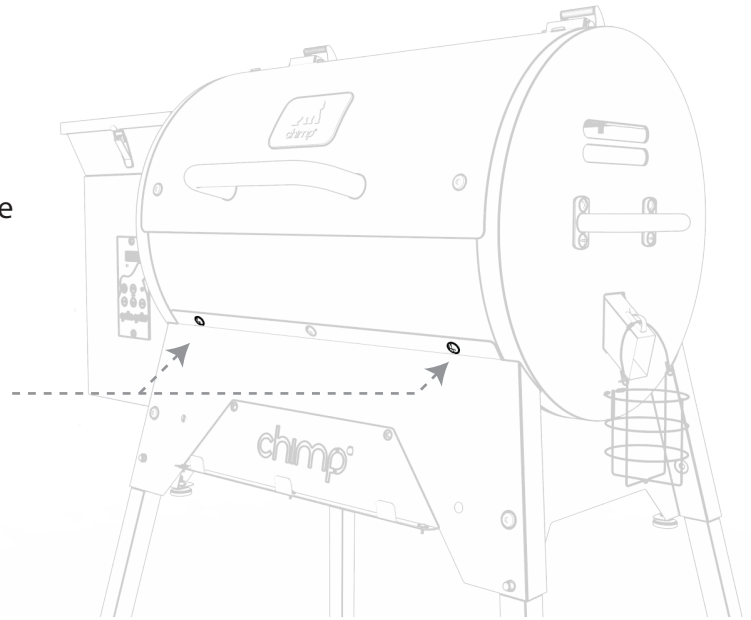


## CHIMP REV-1 MODEL INSTALL

# 1

First start by removing the existing base skirt screws. To do this you will need to access the inside of your grill. Remove screws and nuts using a screwdriver and 7/16" socket

\*Save the hardware for Step 3.



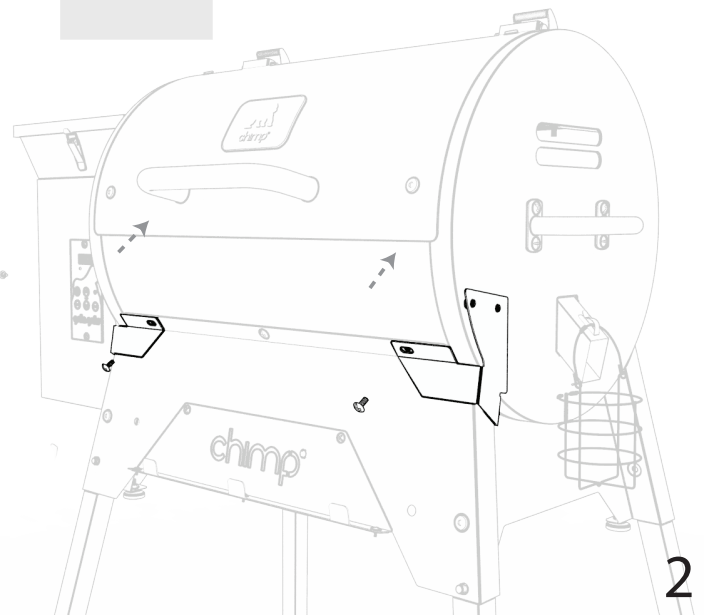
Next take the two supplied brackets and slide them into place so they are snug to the barrel.

\*There is a left & right side bracket.

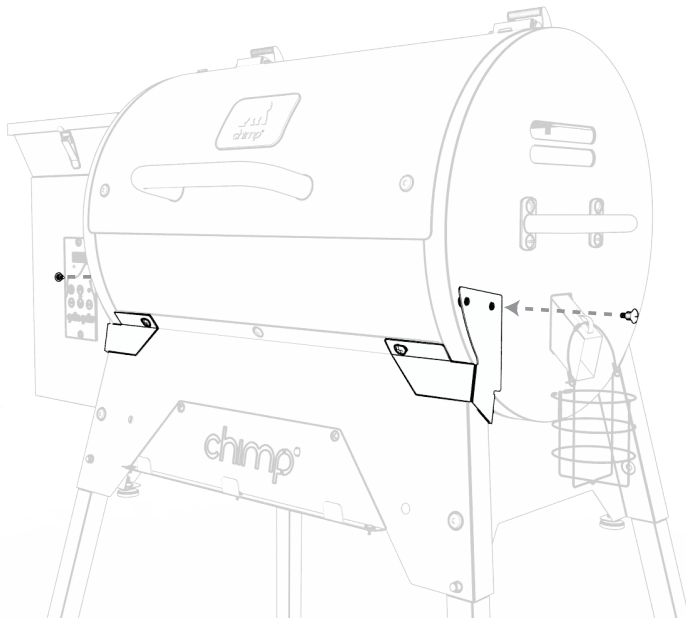
# 2

# 3

Use the existing hardware you removed from Step 1. As you are securing the bracket be sure to apply inward and upward pressure to the brackets against the barrel.



# CHIMP FRONT SHELF

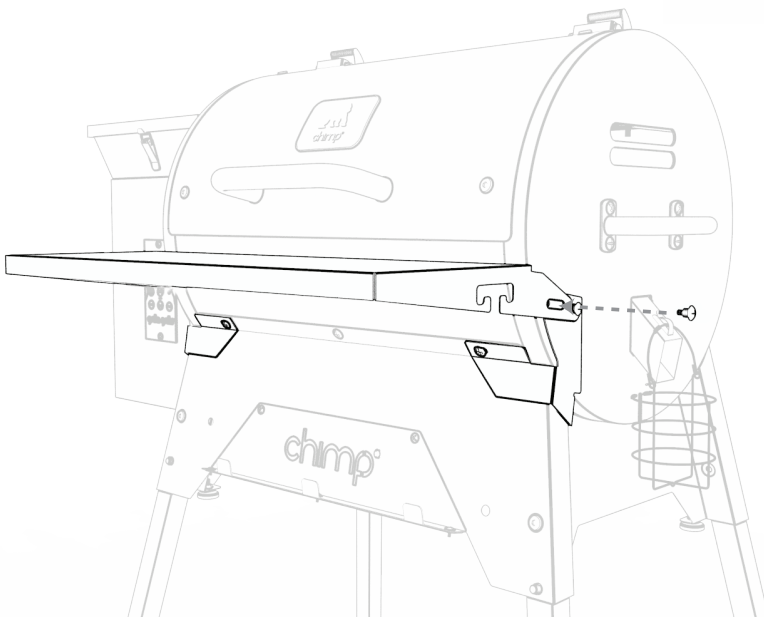
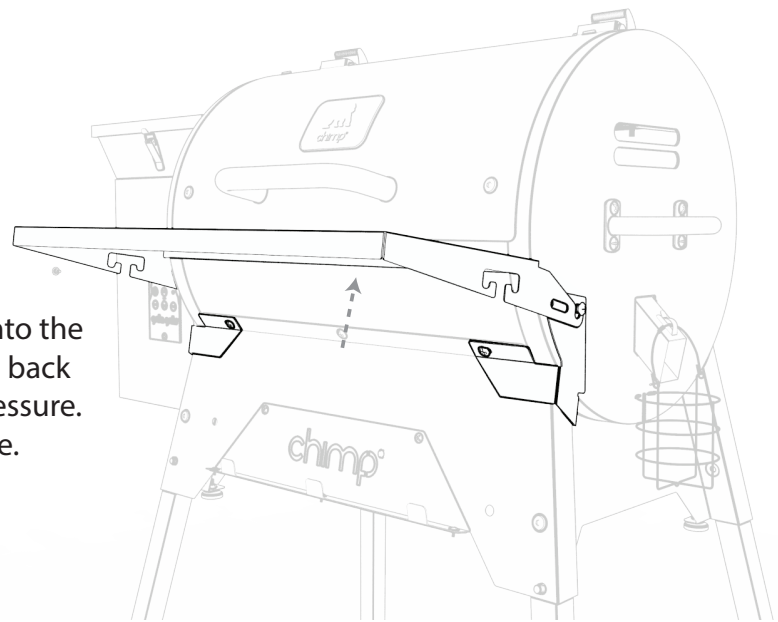


# 4

Once the brackets are in place, take 2 of the 4 screws supplied and install them into the inward most screw holes.

# 5

Take your front shelf and position it onto the brackets. Try and rest the shelf on the back two screws while applying upward pressure. Quickly move to Step 6 once done.



# 6

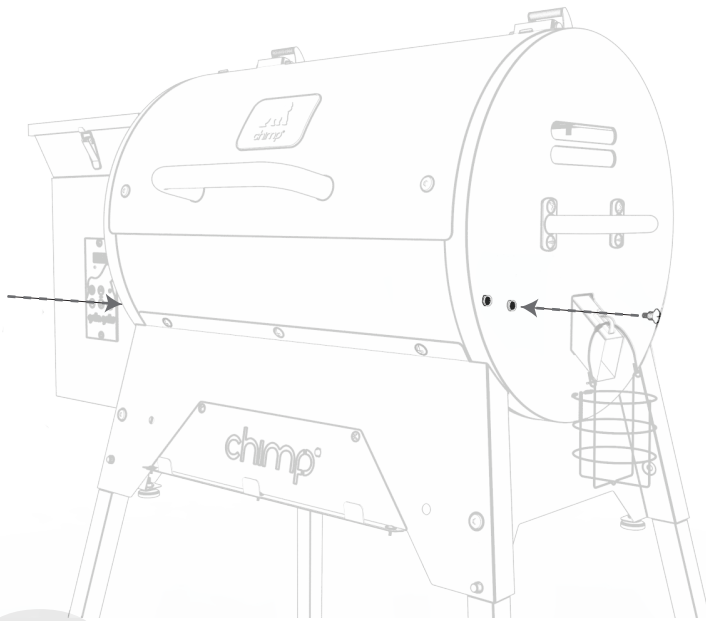
Finally attach the remaining 2 supplied screws to the shelf brackets. You will need to adjust the shelf up and down a bit to allow the screws to feed through the slots and the bracket. Once in place, tighten down.

After that you are all set! Enjoy the added convenience.

# CHIMP FRONT SHELF



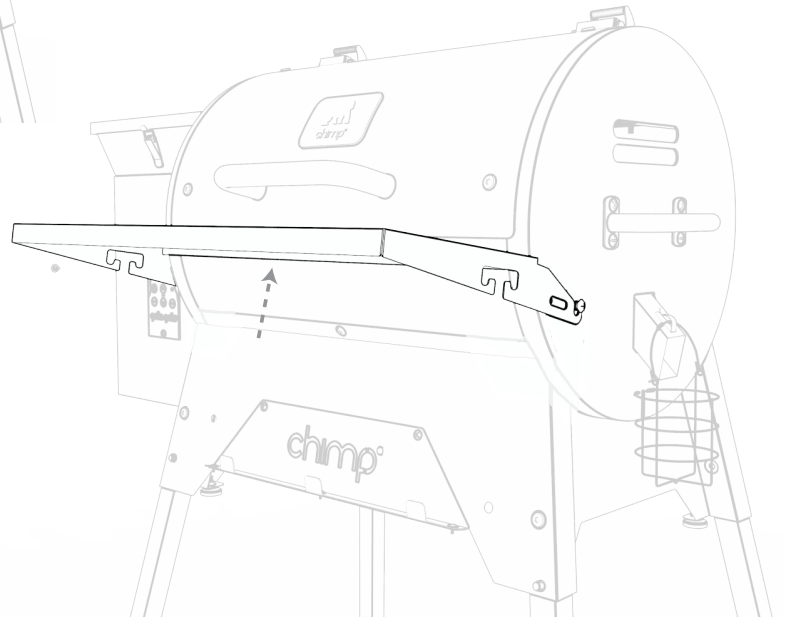
## CHIMP REV-2 MODEL INSTALL



Take 2 of the 4 screws supplied and install them into the inward most screw holes.

# 2

Take your front shelf and position it onto the brackets. Try and rest the shelf on the back two screws while applying upward pressure. Quickly move to Step 3 once done.



Finally attach the remaining 2 supplied screws to the shelf brackets. You will need to adjust the shelf up and down a bit to allow the screws to feed through the slots and the bracket. Once in place tighten down.

After that you are all set! Enjoy the added convenience.

